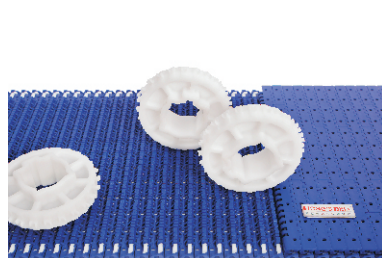
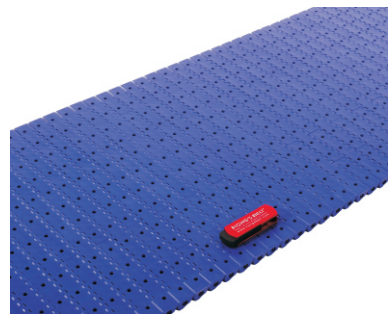
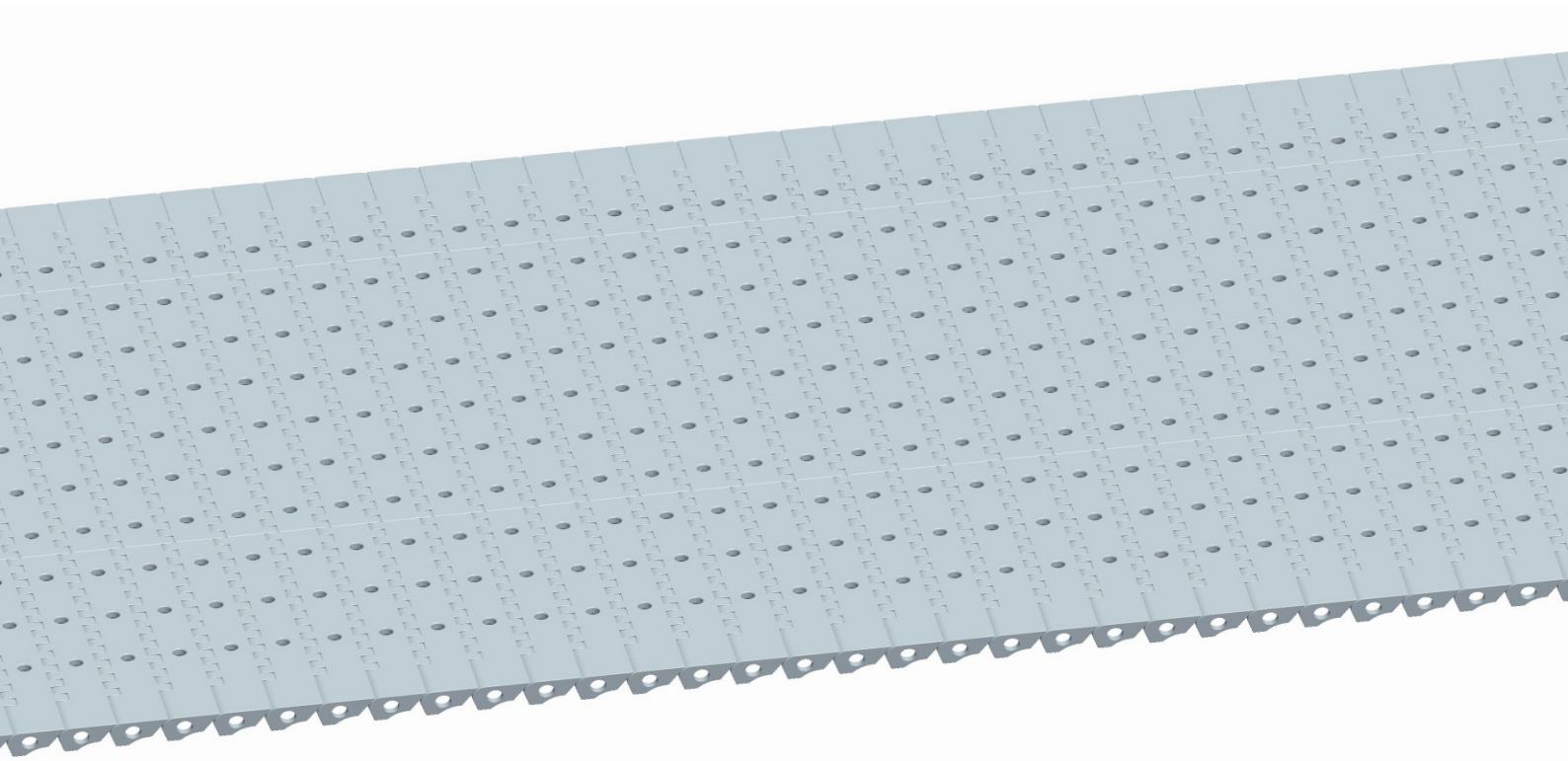


HS-1100AB-N Technical Data Sheet



<p>Pitch: 15.2mm Minimum Width: 152mm Open Area: 3% Approved: FDA Rod: Ø 4.5mm Flight: Yes Side Guard: No Curve: No</p>	
--	--

Data

Belt Material	Belt Strength		Curve	Temperature		Belt Weight (Kg/M ²)
	Straight			°C (min.)	°C (max.)	
	Kg/M(BW)	N/M(BW)				
Polypropylene	1545	15450	--	1	100	5.2
Polyethylene	1470	14700	--	-60	60	6.0
Acetal	1650	16500	--	-40	80	7.5
Nylon	1565	15650	--	1	180	7.0

BW – Belt Width

Color Table

Polypropylene					Polyethylene					Acetal					Nylon				
W	G	N	DB	B	W	G	N	DB	B	W	G	N	DB	B	W	G	N	DB	B
●	●						●			●						●			

W-White, G-Gray, N-Nature, DB-Darkbrown, B-Blue

Friction Table

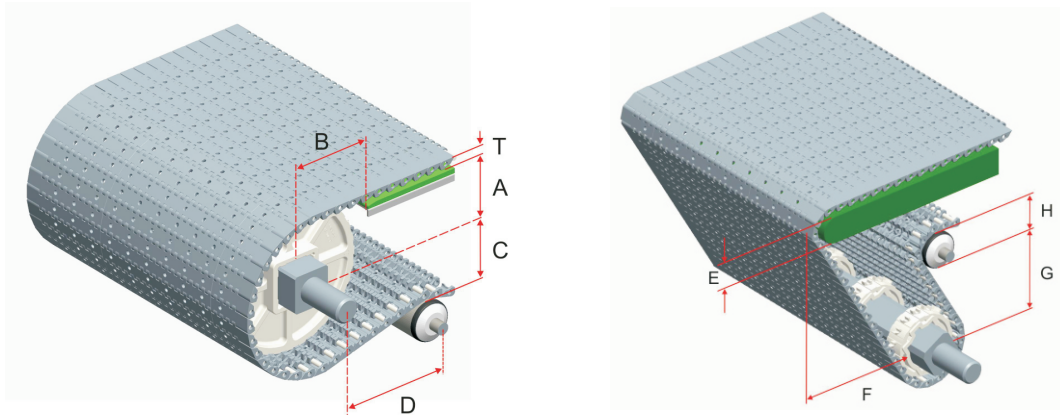
Belt Material	Friction Wear strips & Products							
	UHMW	HDPE	Steel	Glass	SUS	Plastic	Cardboard	Aluminum
Polyethylene	0.32	0.24	0.15	0.09	0.13	0.08	0.15	0.25
Polypropylene	0.13	0.11	0.26	0.19	0.31	0.16	0.21	0.41
Acetal	0.11	0.09	0.27	0.16	0.26	0.15	0.19	0.28
Nylon	0.18	0.13	0.25	0.16	0.26	0.16	0.19	0.27

SUS – Stainless Steel

Equivalent type with other Brand

Brand Name	Intralox	UNI	Rexnord	MCC	Habasit	KVP
Series & Type	1100	--	--	--	--	--

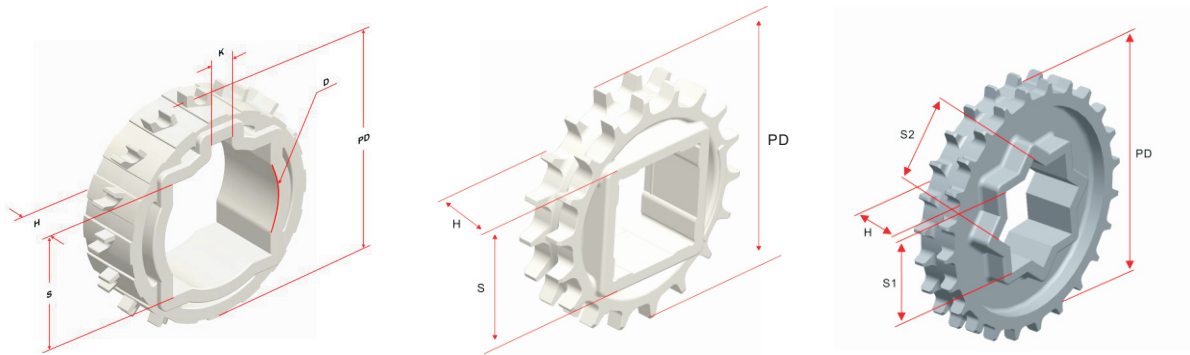
The above content is only for reference.



Conveyor Frame Dimensions

Unit : mm

No. Teeth	A (Min.)	B (Min.)	C (Max.)	D (Min.)	E (Min.)	H (Min.)	T
12	24.55	38.9	24.2	150	Ø 25	Ø 60	8.7
16	34.65	49	34.3	150	Ø 25	Ø 60	
18-2R	39.9	54.25	39.55	150	Ø 25	Ø 60	
20-2R	44.55	58.9	44.2	150	Ø 25	Ø 60	
24/24-2R	54.65	69	54.3	150	Ø 25	Ø 60	
26-2R	59.85	74.2	59.5	200	Ø 25	Ø 60	
32 / 32-2R	39.55	53.9	39.2	200	Ø 25	Ø 60	



Sprocket Dimensions

Unit: mm

No. Teeth	PD	S	D	H	K
12	57.8	25.5	25.4	22.5	6.35X3.17
16	78	25.4/38.5/40.5	25.5/30.5/31.75/45.5	25	6.35X3.17
24	118	38.5/40.5	25.4/30.5/31.75/35.2/45.5/47.5	40	6.35X3.17
32	158	38.5/40.5	25.4/30.5/31.75/40.5	40	8X8
18-2R	88.5	25.4/38.1/40.5	25.5/30.5	25	8X8
20-2R	97.8	38.5/40.5	--	25	--
24-2R	117.7	38.5/40.5/50.2/60.2	30.5	24.8	8X8
26-2R	128.4	38.5/40.5	--	25	--
32-2R	157	38.5/40.2/60.2	--	25	--

※The third drawing is only for 24T-2R